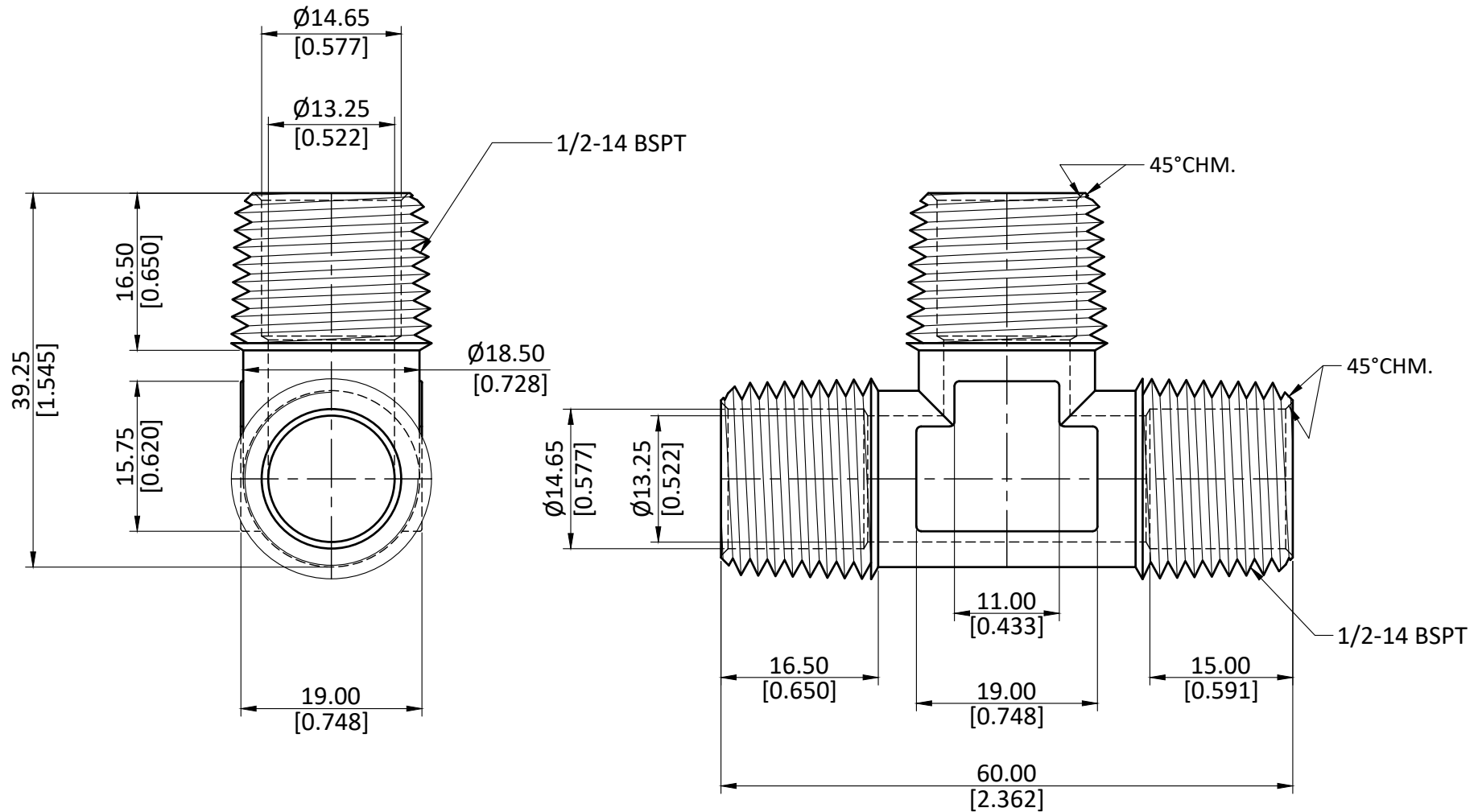


NOTE : This drawing contains proprietary and confidential information of Midland Industries...and shall not be copied, loaned or submitted to outside parties for examination without our prior consent.



ALL DIMENSION ARE IN MM & INCH.

ROD SIZE: NOT APPLICABLE.

PROCESS: NOT APPLICABLE.

ASSEMBLY: NOT APPLICABLE.

DRAWN

A.M.

11/01/2023

GRADE:

GENERAL TOLERANCE

CHECKED

J.P.

11/01/2023

C37700

MM ±0.25

INCH ±0.010

ANGLE ±1°

APPROVED

S.P.

11/01/2023

WEIGHT (gm):

PART CODE:

28927

ITEM DESCRIPTION:

08-08-08 BRASS MALE BSPT TEE

83.00

SCALE:
N.T.S.

REVISION:
01