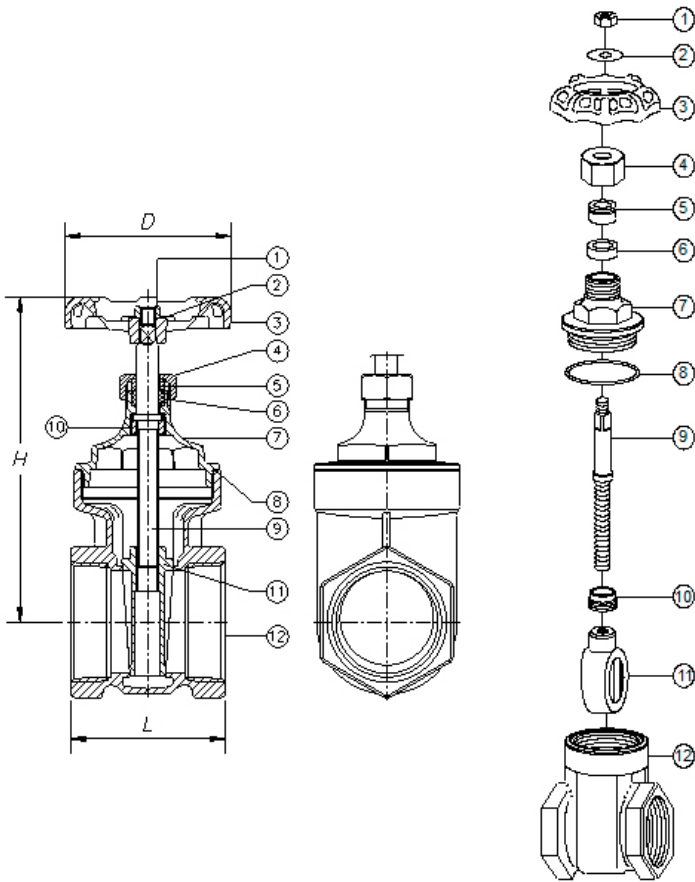


BRONZE IPS GATE VALVES



NO	PART	MATERIALS	NOTE
1	NUT	HOT ROLLED (SAE 1010R)	
2	NAME PLATE	ALUMINUM (A1100)	
3	HANDLE	CAST IRON (JIS Z22202)	
4	PACKING NUT	BRASS ROD (C37700)	
5	GLAND RING	BRASS ROD (C37700)	SIZE 1-1/4" ~ 4"
6	PACKING	GRAPHITE (LK 33 NAFG)	
7	BONNET	CAST BRONZE (C83600)	
8	PACKING	FIBRE	SIZE 2" ~ 4"
9	STEM	BRASS ROD (C37700)	SIZE 1/4" ~ 2"
		CAST BRONZE (C83600)	SIZE 2-1/2" ~ 4"
10	LOCKNUT	BRASS ROD (C37700)	
11	DISC	CAST BRONZE (C83600)	
12	BODY	CAST BRONZE (C83600)	

PART#	SIZE	DIMENSION (mm)		
		D	H	L
	1/4"FIP	53	74	43.5
	3/8"FIP	53	74	43.5
939132	1/2"FIP	53	74	43.5
939133	3/4"FIP	54	84	46
939134	1"FIP	63	99	54
939135	1-1/4"FIP	69	117	57
939136	1-1/2"FIP	80	129	62
939137	2"FIP	89.5	152	68.5
939138	2-1/2"FIP	101	200	94
939139	3"FIP	111	224	102
939140	4"FIP	127	251	115