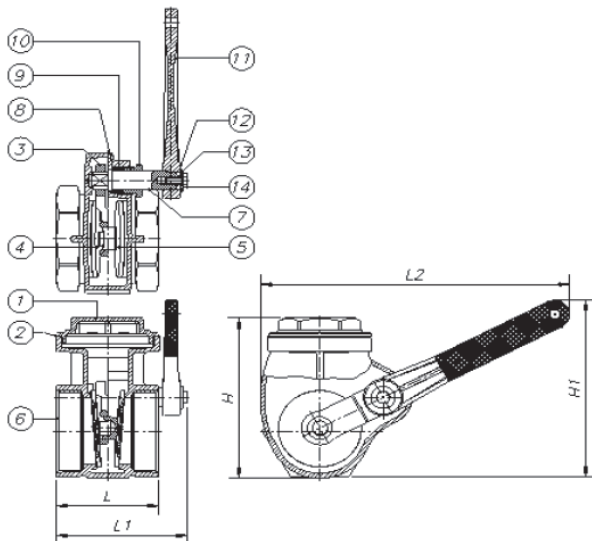
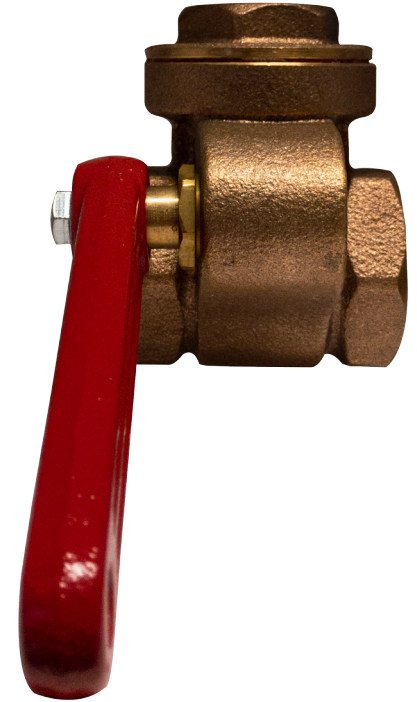


BRONZE GATE VALVES

GATE VALVE QUICK OPENING

PART #	SIZE	L	L1	L2	H	H1	BOX	CASE
941133	1/2"	45.6	60.6	119	56.8	52.8	10	50
941134	3/4"	51	62	126.3	68	87.5	10	50
941135	1"	58.3	72.3	155	78.7	90.2	10	30
941136	1-1/4"	30.1	78	180.2	89.5	104	5	25
941137	1-1/2"	66.7	85.3	196.6	99.2	131	6	18
941138	2"	76.4	90.3	250.6	119.3	143.7	2	10
941140	3"	101	129.2	305.6	172.2	191.3	2	6
941141	4"	114.5	150.7	378.2	213.5	248.6	1	2



MATERIAL SPECIFICATION

NO.	PART	BRONZE
1	BONNET	BRASS (C85700)
2	PACKING	FIBRE
3	ARM	BRASS (C85700)
4	DISC MALE	BRASS (C85700)
5	DISC FEMALE	BRASS (C85700)
6	BODY	BRASS (C85700)
7	STEM	BRASS (C37700)
8	WASHER	BRASS (C37700)
9	PACKING	TEFLON POLYFLON (PTFE M-392)
10	PACKING NUT	BRASS (C37700)
11	HANDLE	CAST IRON (JIS ZZ2202) RUBBER COATING BRASS (C85700)
12	NAME PLATE	ALUMINIUM (A1100)
13	WASHER	HOT ROLLED (SAE 1010R)
14	HANDLE BOLT	HOT ROLLED (SAE 1010R)