

BEVEL & SPUR GEARBOX

FIG - BGN/GBO/SGN

FIG. BGN - Bevel Gearbox for NRS Gate Valves

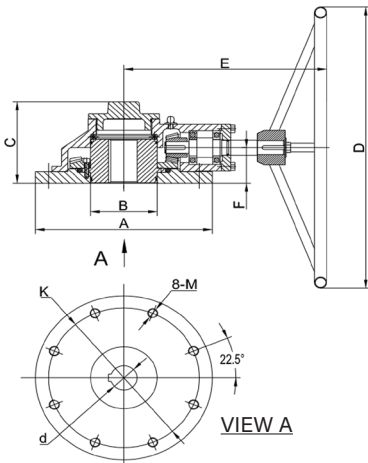


FIG. NO.	BGN-3	BGN-4	BGN-6
A	Φ300	Φ350	Φ415
B	Φ90	Φ132	Φ137
C	140	165	191
D	Φ460	Φ600	Φ600
E	330	400	510
F	65	77	91
d	Φ65 Max.	Φ95 Max.	Φ100 Max.
K	Φ254	Φ298	Φ356
M	8-M16	8-M20	8-M30
Ratio	3:1	4:1	6:1
Output Torque Max. (N.m) For Valve Size	1350 300 - 450	3100 500 - 800	5400 900 - 1500

FIG. BGO - Bevel Gearbox for OS&Y Gate Valves

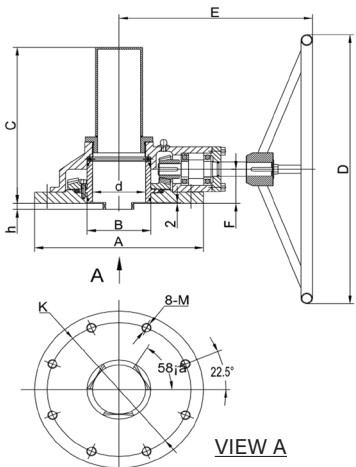


FIG. NO.	BGO-3	BGO-4	BGO-6
A	Φ300	Φ350	Φ415
B	Φ90	Φ132	Φ137
C	DN+200	DN+200	DN+200
D	Φ460	Φ600	Φ600
E	330	400	510
F	65	77	91
d	Φ70 Max.	Φ105 Max.	Φ109 Max.
K	Φ254	Φ298	Φ356
M	8-M16	8-M20	8-M30
Ratio	3:1	4:1	6:1
Output Torque Max. (N.m) For Valve Size	1350 300 - 450	3100 500 - 800	5400 900 - 1500

FIG. SGN - Spur Gearbox for NRS Gate Valves

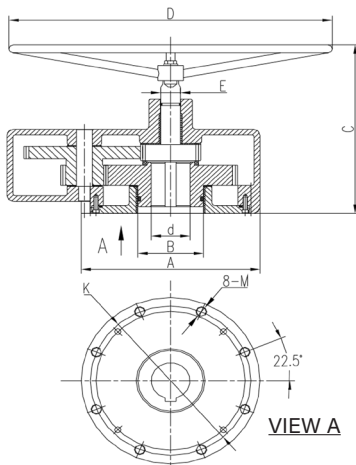


FIG. NO.	SGN-4. 1	SGN-6. 4	SGN-6. 3
A	Φ300	Φ350	Φ415
B	Φ90	Φ110	Φ148
C	366	400	493
D	Φ500	Φ800	Φ1500
E	Φ38	Φ38	Φ42
d	Φ65 Max.	Φ80 Max.	Φ110 Max.
K	Φ254	Φ298	Φ356
M	8-M16	8-M20	8-M30
Ratio	4. 1:1	6. 4:1	6. 3:1
Output Torque Max. (N.m) For Valve Size	1300 300 - 450	2180 500 - 800	3900 900 - 1500