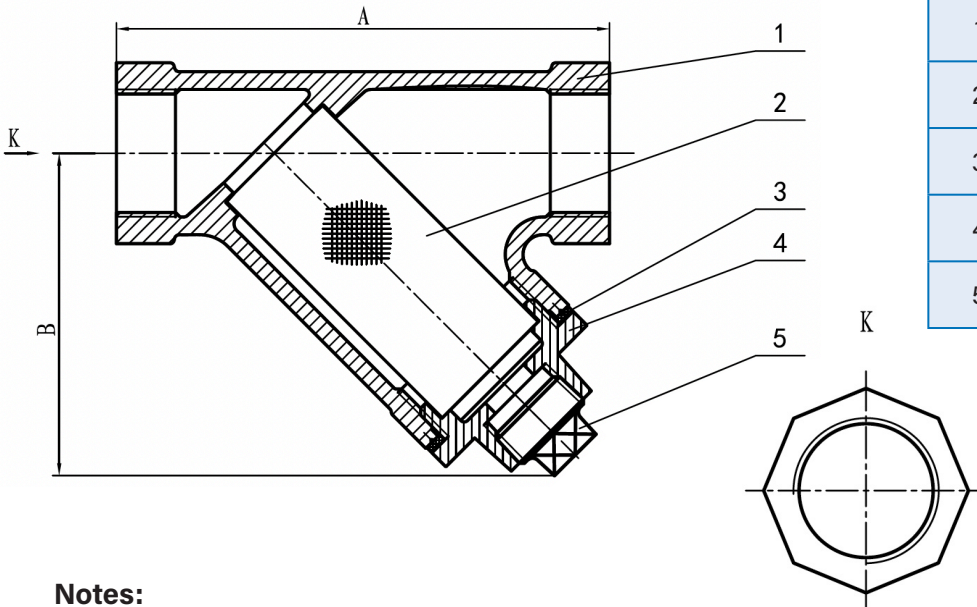


DUCTILE IRON THREADED WYE STRAINER

9642TH SERIES



MAIN DIMENSIONS				
DN		DIMENSIONS (IN)		
INCH	MM	A	B MAX	PLUG
1/4"	8	3.19	2.17	1/4"
3/8"	10	3.19	2.24	1/4"
1/2"	15	3.19	2.76	3/8"
3/4"	20	3.74	2.83	3/8"
1"	25	4.02	3.07	1/2"
1-1/4"	32	5.00	3.62	1/2"
1-1/2"	40	5.75	4.65	1/2"
2	50	6.97	4.72	1/2"
2-1/2"	65	9.21	5.35	3/4"
3"	80	10.00	5.91	3/4"



PART	PART	MATERIAL
1	Valve Body	ASTM A536 65-45-12
2	Screen	SUS304
3	Sealing Washer	PTFE
4	Cover	ASTM A536 65-45-12
5	Plug	Malleable Iron Galvanized

Notes:

1. Female Threaded Standard: ANSI/ASME B1.20.1, ISO 7-1
2. Working Pressure: 500PSI, PN25
3. Working Temperature: 14°F - 392°F
4. Surface Treatment: Painting
5. Threaded WYE Strainers size 1/4" - 2" have an 18-mesh screen
6. Threaded WYE Strainers size 2-1/2" - 3" have a 120-mesh screen