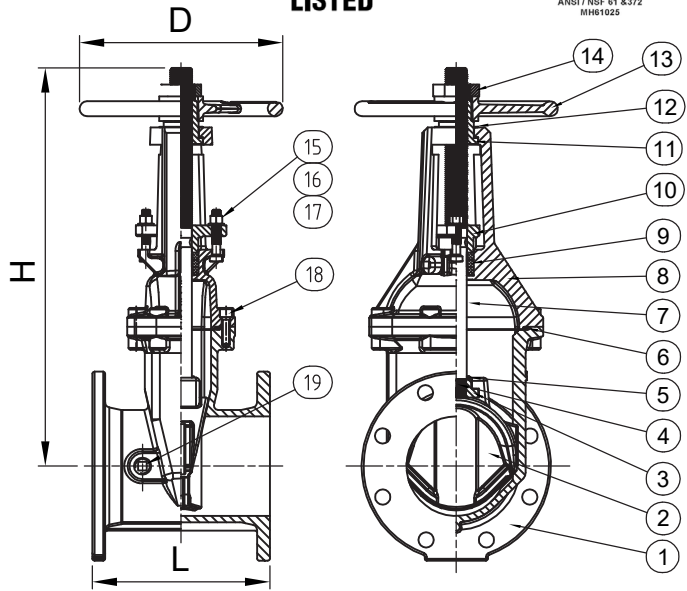
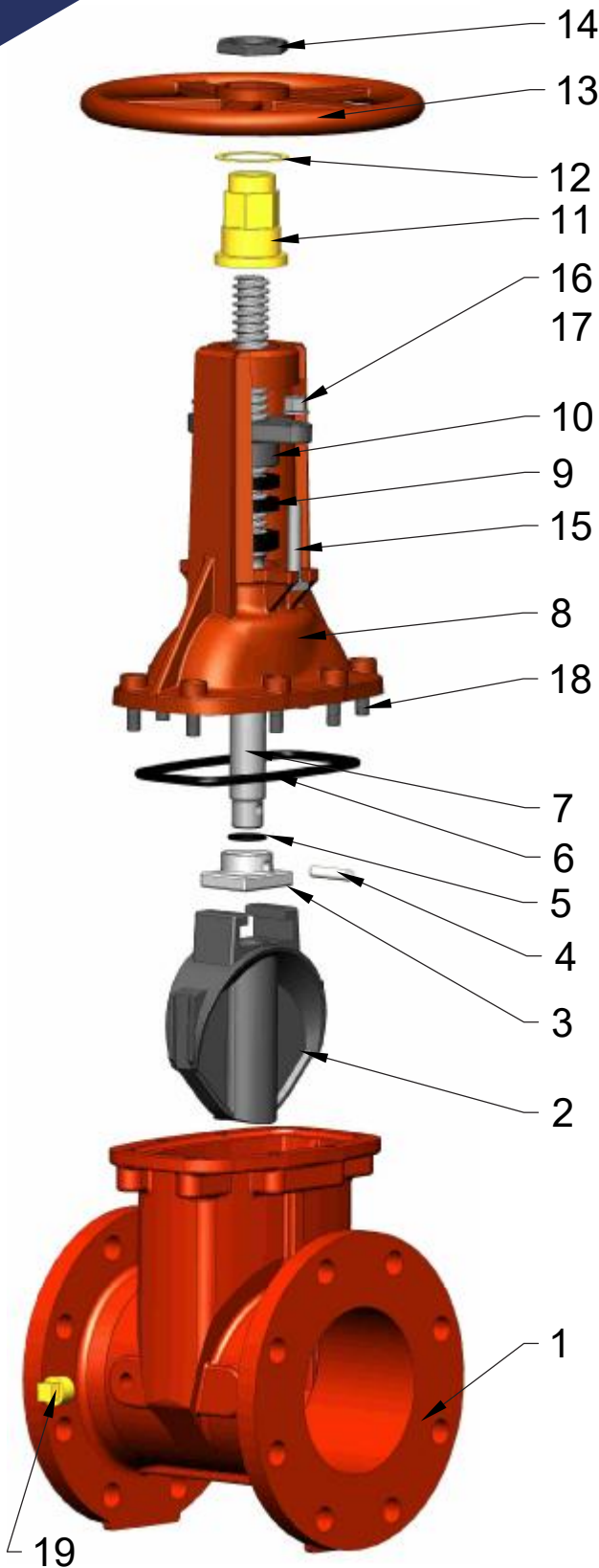




WATER QUALITY
Drinking Water System Component
ANSI / NSF 61 & 372
NSF1025



		Dimensions								
Size	2"	2.5"	3"	4"	5"	6"	8"	10"	12"	
L	7"	7-1/2"	8"	9"	10"	10-1/2"	11-1/2"	13"	14"	
H(Open)	15"	16-5/8"	18-7/8"	21-5/8"	25-4/5"	29-1/8"	36-5/8"	44-1/2"	52"	
H(Close)	13"	13-3/4"	15-3/4"	17-3/4"	20-7/8"	23-1/4"	28-3/4"	34-3/4"	40-1/6"	
D	7-1/4"	7-1/4"	10"	10"	12"	12"	14"	17-1/2"	17-1/2"	

No.	Description	Material Specifications
1	Body	Ductile Iron, ASTM A536 65-45-12
2	Wedge	Ductile Iron, NBR Encapsulated
3	Wedge Nut	Stainless Steel, AISI 304
4	Pin	Stainless Steel, AISI 420
5	O-ring	NBR
6	Gasket	NBR
7	Stem	Stainless Steel, AISI 304
8	Bonnet	Ductile Iron, ASTM A536 65-45-12
9	Packing	Graphite
10	Gland	Ductile Iron, ASTM A536 65-45-12
11	Yoke Nut	Bronze, ASTM C95200
12	Washer	Brass
13	Handwheel	Ductile Iron, ASTM A536 65-45-12
14	Handwheel Nut	Ductile Iron, ASTM A536 65-45-12
15	Bolts	Stainless Steel, A2-70
16	Nuts	Stainless Steel, A4-70
17	Washers	Stainless Steel, AISI 304
18	Bonnet Bolts	Carbon Steel Gr8.8, Zinc Plated
19	Plug	Malleable Iron

OS&Y RESILIENT SEATED GATE VALVE 2.5" TO 12", FLANGED ENDS F0111-300