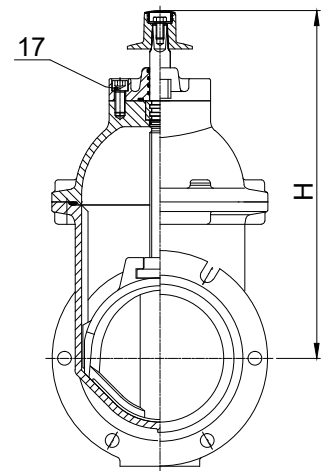
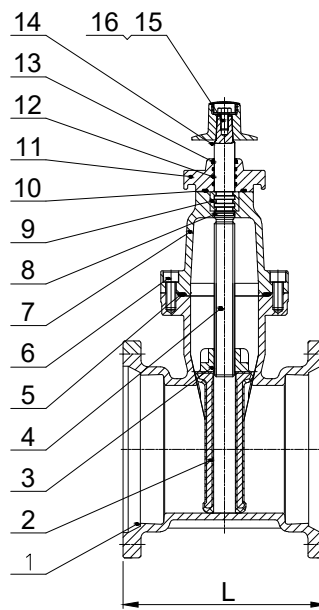
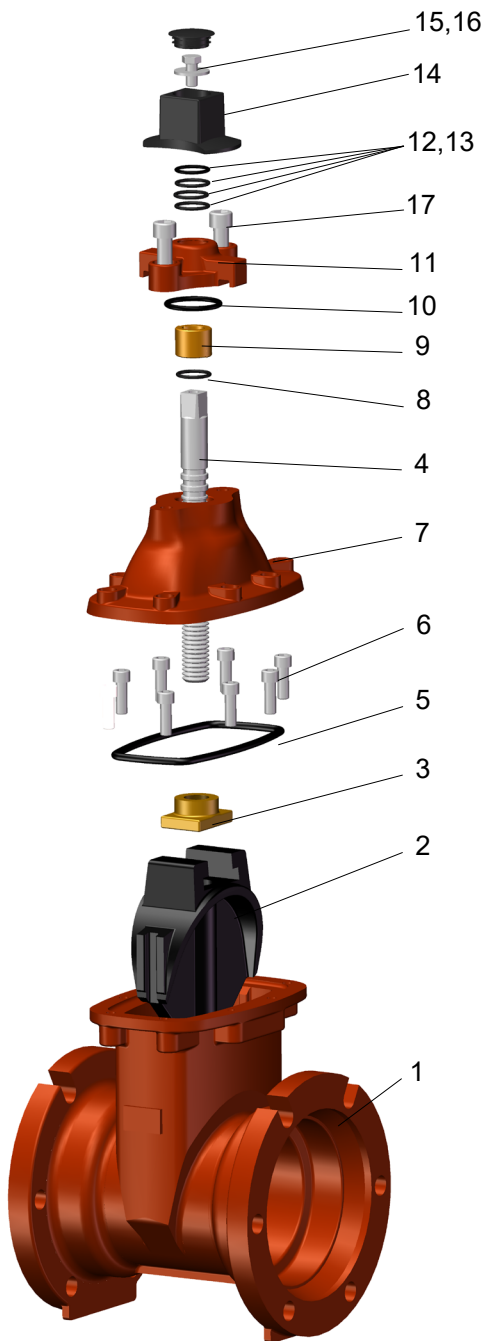


Dimensions (inch)

SIZE	3"	4"	6"	8"	10"	12"	14"	16"	18"
L	9.5	10.0	11.5	12.5	14.75	14.9	17.0	17.0	18.7
H	11.7	12.7	16.9	20.9	24.7	28.1	35.6	38.5	44.0



No.	Description	Material	ASTM Spec.
1	Body	Ductile Iron	A536 Grade 65-45-12
2	Disc	Ductile Iron NBR Encapsulated	
3	Wedge Nut	Bronze	B148 C95200
4	Stem	Stainless Steel	A276 Type 304SS
5	Gasket	Rubber	D2000, NBR
6	Bolt	Stainless Steel	F593 Grade 304SS
7	Bonnet	Ductile Iron	A536 Grade 65-45-12
8	O-Ring	Rubber	D2000, NBR
9	Thrust Collar	Bronze	B148 C95200
10	O-Ring	Rubber	D2000, NBR
11	Gland	Ductile Iron	A536 Grade 65-45-12
12	O-Ring	Rubber	D2000, NBR
13	Dust Ring	Rubber	D2000, NBR
14	Operating Nut	Ductile Iron	A536 Grade 65-45-12
15	Bolt	Stainless Steel	F593 Grade 304SS
16	Washer	Stainless Steel	A276 Type 304SS
17	Bolt	Stainless Steel	F593 Grade 304SS

NRS RESILIENT GATE VALVE WITH OPERATING NUT, MJXMJ

F0233-GA-03