

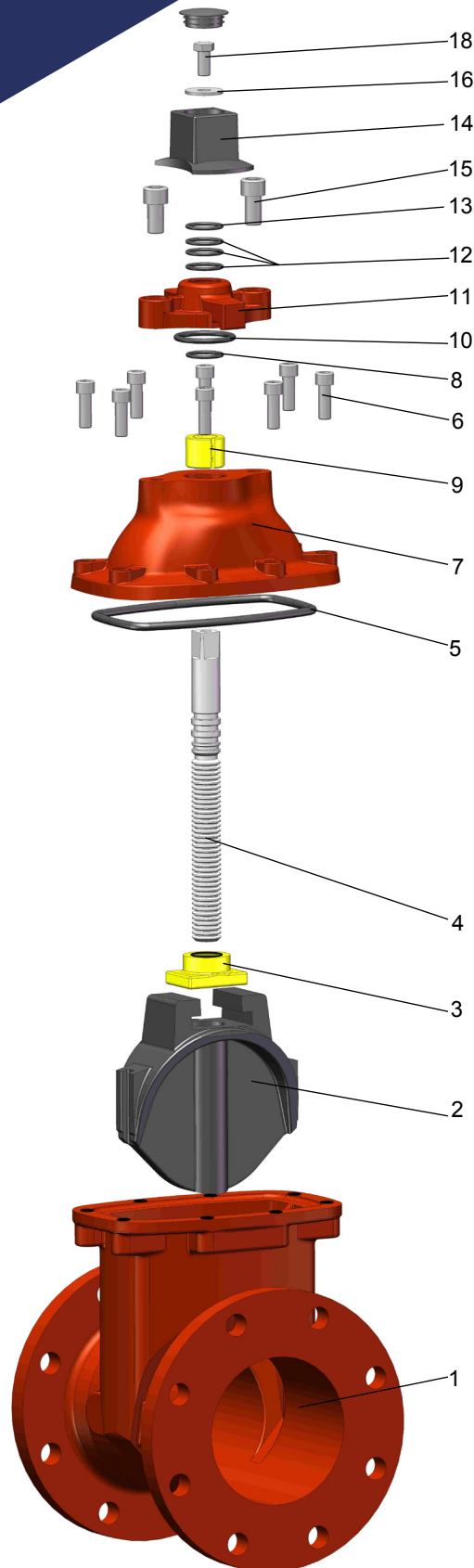


MIDLAND INDUSTRIES

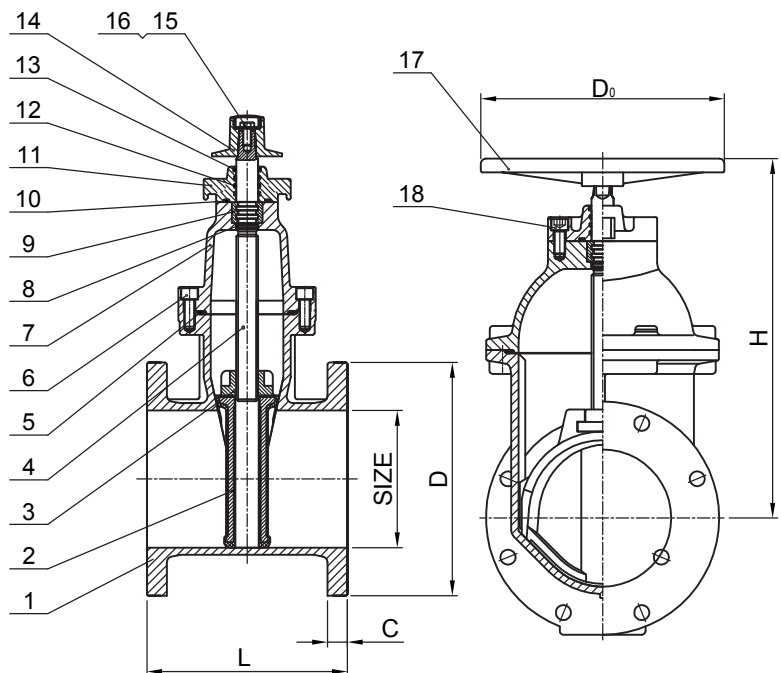


WATER QUALITY
Drinking Water System Component
ANSI / NSF 61 & 372
MH61025

SIZE	L	D	G	H	D ₀	Bolt Circle	Qty. *Dia Bolt Hole
2"	7.0	6.0	0.62	9.5	7.0	4.8	4*0.75
2.5"	7.5	7.0	0.69	10.0	7.0	5.5	4*0.75
3"	8.0	7.5	0.75	11.0	10.0	6.0	4*0.75
4"	9.0	9.0	0.94	11.8	10.0	7.5	8*0.75
6"	10.5	11.0	1.00	16.4	12.0	9.5	8*0.88
8"	11.5	13.5	1.12	20.7	14.0	11.8	8*0.88
10"	13.0	16.0	1.19	24.5	16.0	14.3	12*1.0
12"	14.0	19.0	1.25	28.0	16.0	17.0	12*1.0



Item	Description	Material	ASTM Spec.
1	Body	Ductile Iron	A536 65-45-12
2	Disc	Ductile Iron - NBR Encapsulated	A536 65-45-12
3	Stem Nut	Bronze	ASTM C95200
4	Stem	Stainless Steel	AISI AISI 304
5	Gasket	Rubber	NBR
6	Bolt	Stainless Steel	A2-70
7	Bonnet	Ductile Iron	A536 65-45-12
8	O-Ring	Rubber	NBR
9	Thrust Collar	Bronze	ASTM C95200
10	O-Ring	Rubber	NBR
11	Gland	Ductile Iron	A536 65-45-12
12	O-Ring	Rubber	NBR
13	Dust Ring	Rubber	NBR
14	Operating Nut (Optional)	Ductile Iron	A536 65-45-12
15	Bolts	Stainless Steel	A2-70
16	Washer	Stainless Steel	SS304
17	Handwheel (Optional)	Ductile Iron	A536 65-45-12
18	Bolts	Stainless Steel	A2-70



AWWA C515-NRS RESILIENT SEATED GATE VALVE-FLANGED ENDS

F0211-300