

**BRASS SWING CHECK VALVES**

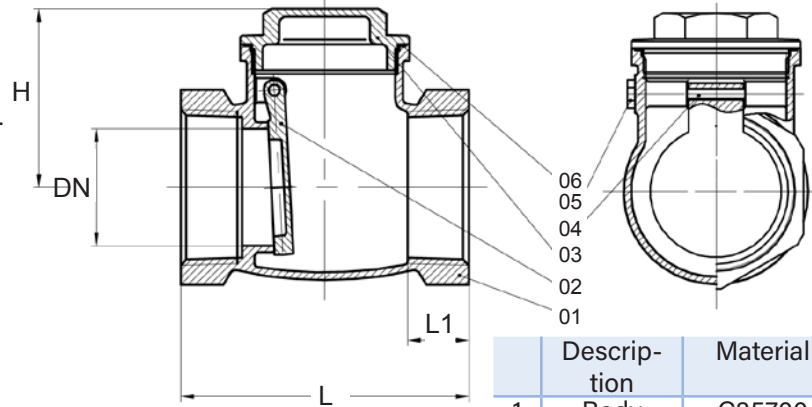
## VALVES

**BRASS SWING CHECK VALVES**

- Working pressure non-shock: 200 psi W.O.G. (cold water, oil, gas) 125 psi WSP (saturated steam)
- Swing type disc.
- Screwed Cap.
- Hard Seat.
- 90° Straight Pattern.
- Used to prevent reverse flow in commercial and industrial applications.
- Threaded ends to ANSI B1.20.1

- Integral seat.
- Temp range -5° - 150F°
- NOT LEAD FREE
- Cracking pressure 3-5 psi

- Made in Indonesia



|   | Description | Material |
|---|-------------|----------|
| 1 | Body        | C85700   |
| 2 | Disc        | C85700   |
| 3 | Cap         | C85700   |

**CAST BRASS SWING CHECK VALVES IPS SCREWED ENDS**

| PART # | SIZE  | L    | H    | L1    | DN    | WEIGHT | BOX/CASE |      |
|--------|-------|------|------|-------|-------|--------|----------|------|
| 940352 | 1/2   | 2.09 | 1.42 | 0.531 | 0.512 | .41    | 10/100   | ---- |
| 940353 | 3/4   | 2.36 | 1.56 | 0.579 | 0.728 | .56    | 10/80    | ---- |
| 940354 | 1     | 2.62 | 1.77 | 0.748 | 0.925 | .80    | 8/40     | ---- |
| 940355 | 1-1/4 | 3.19 | 2.07 | 0.748 | 1.201 | 1.36   | 5/40     | ---- |
| 940356 | 1-1/2 | 3.54 | 2.16 | 0.846 | 1.417 | 1.56   | 5/20     | ---- |
| 940357 | 2     | 4.21 | 2.74 | 0.886 | 1.772 | 2.61   | 2/16     | ---- |
| 940358 | 2-1/2 | 5.14 | 3.09 | 1.063 | 2.224 | 4.55   | 1/8      | ---- |
| 940359 | 3     | 5.77 | 3.80 | 1.102 | 2.579 | 6.53   | 1/6      | ---- |
| 940360 | 4     | 6.84 | 4.25 | 1.102 | 3.602 | 10.18  | 1/4      | ---- |



See Lead Free Brass Swing Check Valves



See SS Swing Check Valves

**WARNING:** This product can expose you to chemicals, including lead, which are known to the State of California to cause cancer and birth defects or other reproductive harm. For more information, visit [www.P65Warnings.ca.gov](http://www.P65Warnings.ca.gov)

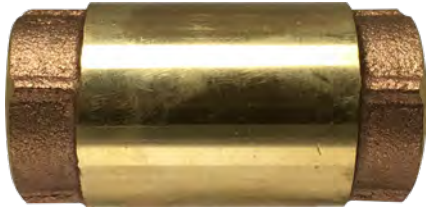
# BRASS CHECK VALVES

VALVES

## BRASS CHECK VALVES

S.S. SPRING LOADED BRONZE POPPET - For positive sealing & self-cleaning. Insures against leakage.

- Inline Lift Type - Resilient Discs - Spring Actuated - Threaded.
- Pressure rating: 200 WOG (water, oil, gas) / 125 WSP (Saturated Steam)
- Spring in stainless steel AISI 304. • Resilient washer hold/ disc in brass. • Forged Brass Body for 1/2"-2"
- Corrosion resistant material. • Can be used vertically or horizontally. • Opens & Closes with flow of media.
- No cracking pressure. • NOT LEAD FREE • Made in Indonesia

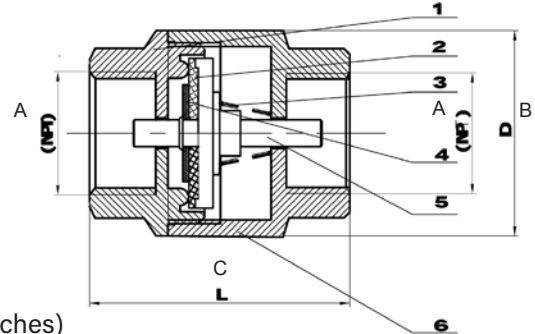


1/4 Made in Taiwan

### Temp Range

-10°C - 110°C

14°F - 248°F



Brass Check Valve (Inches)

| Part#  | Size   | Enters Pipe Size | A NPT  | B    | C    | Weight | Box/Case |      |
|--------|--------|------------------|--------|------|------|--------|----------|------|
| 944428 | 1/4"   | -                | 1/4"   | 1.00 | 2.29 | .24    | 24/192   | ---- |
| 944429 | 3/8"   | -                | 3/8"   | 1.00 | 2.07 | .23    | 10/100   | ---- |
| 944430 | 1/2"   | 1-1/4"           | 1/2"   | 1.26 | 2.40 | .42    | 10/100   | ---- |
| 944431 | 3/4"   | 1-1/4"           | 3/4"   | 1.45 | 2.74 | .53    | 10/80    | ---- |
| 944432 | 1"     | 2"               | 1"     | 1.77 | 3.23 | .85    | 6/48     | ---- |
| 944433 | 1-1/4" | 2-1/2"           | 1-1/4" | 2.13 | 3.62 | 1.18   | 4/40     | ---- |
| 944434 | 1-1/2" | 3"               | 1-1/2" | 2.29 | 4.04 | 1.40   | 5/30     | ---- |



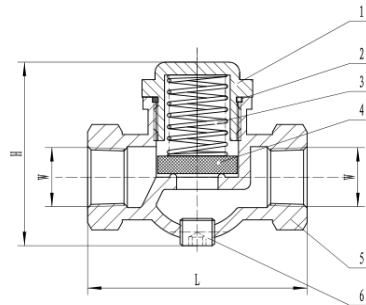
• See Lead Free Brass Check Valves



• See SS Check Valves

## IN LINE CHECK VALVES VERTICAL OR HORIZONTAL

- Working Pressure: 250 PSI • Temperature Range: -40° to 450°F(-40°to 230°C)
- Cracking Pressure: 3 PSI • Made in China • Not lead free
- Applications: Air Compressor Discharge Lines, may also used on water or oil lines
- Construction: Cast Bronze Body, Corrosion Resistant Stainless Steel Spring to Ensure Long Life, 15% Glass Filled • Polytetrafluoroethylene Poppet, C360 Machined Brass Cap, 1/8 NPT Unloader Port is Standard • Repairable



| Part# | Part Name | Material |
|-------|-----------|----------|
| 6     | Plug      | Brass    |
| 5     | Body      | Bronze   |
| 4     | Gasket    | PTPF     |
| 3     | Spring    | S.Steel  |
| 2     | O-ring    | HNBR     |
| 1     | Cap       | Brass    |

| PART # | SIZE | W   | L    | H    | WTG  | BOX/CASE |      |
|--------|------|-----|------|------|------|----------|------|
| 947140 | 1/8" | 1/8 | 1.75 | 1.34 | 0.28 | 20/100   | ---- |
| 947141 | 1/4" | 1/4 | 1.75 | 1.37 | 0.29 | 20/100   | ---- |
| 947142 | 3/8" | 3/8 | 2.50 | 2.18 | 0.62 | 10/50    | ---- |
| 947143 | 1/2" | 1/2 | 2.50 | 2.13 | 0.54 | 10/50    | ---- |
| 947144 | 3/4" | 3/4 | 2.88 | 2.64 | 1.17 | 8/40     | ---- |
| 947145 | 1"   | 1   | 3.61 | 3.30 | 1.98 | 2/20     | ---- |

**BRASS IN-LINE CHECK VALVES**

VALVES

**BRASS IN-LINE CHECK VALVES****High Capacity, Size 1/4"-2" 400 WOG, 2 1/2"-4" 175 WOG**

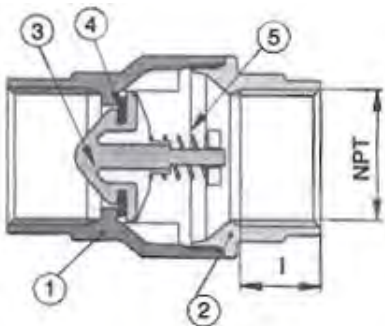
- Soft Seat for Bubble Tight Shutoff, Spring Loaded for Fast Seating Action.
- Compact design.
- Low Cracking Pressure 1/2 psi.
- Flow Profile Designed to Minimize Head Loss.
- Perfect Seating both at High and Low Pressure, Wide Temperature Range: +10° to 210°F.
- Polyetherimide Disc to ensure the Best Resistance For Corrosion and Abrasion.
- Patented Disc Guide to Prevent Any Side Loading.
- Connection: FNPT x FNPT.
- Made in Italy ▪ Not lead free

NBR for water, oils and general purpose.

With Fluoroelastomer® Seal for fuels and hydrocarbons. Max working TEMPERATURE 325°F/125 psi steam

**Add V to part# for Fluoroelastomer****BRASS IN-LINE CHECK**

| PART#  |      | SIZE   | I    | PSI | LBS   | CASE | FLUOR PART# |      |
|--------|------|--------|------|-----|-------|------|-------------|------|
| 944401 | ---- | 1/4"   | 0.39 | 400 | 0.22  | 144  |             |      |
| 944402 | ---- | 3/8"   | 0.40 | 400 | 0.18  | 144  | 944402V     | ---- |
| 944403 | ---- | 1/2"   | 0.60 | 400 | 0.32  | 144  | 944403V     | ---- |
| 944404 | ---- | 3/4"   | 0.65 | 400 | 0.49  | 90   | 944404V     | ---- |
| 944405 | ---- | 1"     | 0.66 | 400 | 0.71  | 90   | 944405V     | ---- |
| 944406 | ---- | 1-1/4" | 0.68 | 400 | 1.13  | 30   | 944406V     | ---- |
| 944407 | ---- | 1-1/2" | 0.68 | 400 | 1.53  | 30   | 944407V     | ---- |
| 944408 | ---- | 2"     | 0.69 | 400 | 2.28  | 12   | 944408V     | ---- |
| 944409 | ---- | 2-1/2" | 0.93 | 175 | 4.83  | 4    | 944409V     | ---- |
| 944410 | ---- | 3"     | 1.01 | 175 | 6.70  | 4    | 944410V     | ---- |
| 944411 | ---- | 4"     | 1.09 | 175 | 12.43 | 2    | 944411V     | ---- |



| NO | Part           | Material               | PCS |
|----|----------------|------------------------|-----|
| 1  | BODY           | BRASS                  | 1   |
| 2  | END CONNECTION | BRASS                  | 1   |
| 3  | DISC           | POLYETHERIMIDE         | 1   |
| 4  | SEAT           | 100002 NBR             | 1   |
|    |                | 100003 Fluoroelastomer | 1   |
| 5  | SPRING         | STAINLESS STEEL        | 1   |

**WARNING:** This product can expose you to chemicals, including lead, which are known to the State of California to cause cancer and birth defects or other reproductive harm. For more information, visit [www.P65Warnings.ca.gov](http://www.P65Warnings.ca.gov)